

Electric Power Steering (EPS)

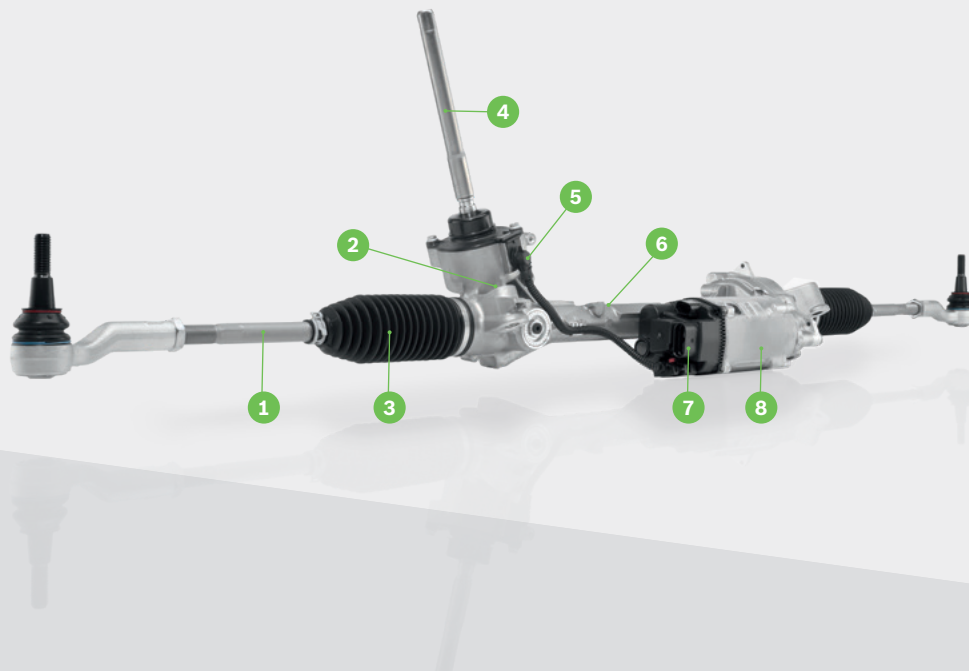
from Bosch

Servolectric®

Innovative automotive steering system for mid-size sedans, SUVs and light-duty commercial vehicles.



BOSCH
Invented for life



Product Benefits

- ▶ Excellent steering feel
- ▶ Permits semi-automated and – in the future – highly-automated driving, with full fail-safe performance
- ▶ Additional comfort and safety functions
- ▶ Weight reduction
- ▶ Power on demand improves MPG
- ▶ Diagnostic capable
- ▶ Oil free – no maintenance required

- 1 Tie Rod
- 2 Steering pinion
- 3 Bellows
- 4 Steering spindle connection
- 5 Torque sensor
- 6 Housing
- 7 Electronic control unit
- 8 Electronic motor



Intelligent Steering

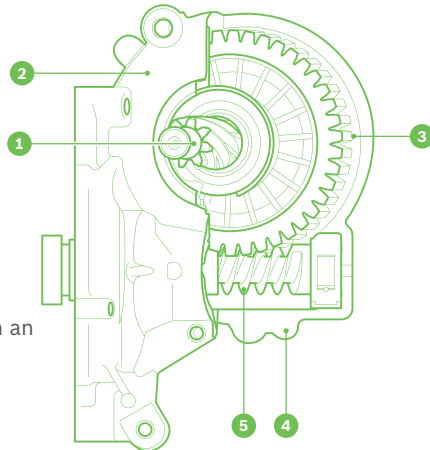
Bosch Servolectric is an electric power steering system that controls and assists the vehicle steering with the aid of an electronically controlled electric motor.

Servolectric® EPSdp

Dual pinion type gear

Servo unit on a second pinion provides the ideal electric power steering solution for mid-sized vehicles.

- 1 Drive Pinion
- 2 Housing
- 3 Helical gear
- 4 Spring damper element
- 5 Worm



Common applications

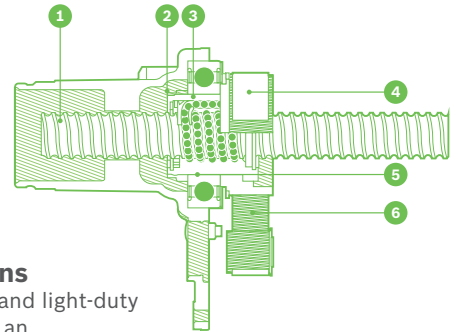
Mid-sized vehicles with an axle load of up to **2,640lbs**

Servolectric® EPSapa

Axis parallel type gear

Provides the ideal electric power steering solution for vehicles that require more steering effort.

- 1 Steering rack
- 2 Ball return channel
- 3 Ball chain
- 4 Toothed disc
- 5 Ball recirculating nut
- 6 Toothed belt



Common applications

Mid-sized vehicles, SUVs and light-duty commercial vehicles with an axle load of up to **3,500lbs**

Did you know?

In 2015 the Bosch Group acquired ZF Friedrichshafen AG's 50-percent share in the joint venture ZF Lenksysteme GmbH (ZFLS). As a result, ZFLS is now Robert Bosch Automotive Steering GmbH.

To assist you with the transition from **ZFLS to Bosch**, please refer the **buyers guide** below. Comprehensive Bosch Steering applications are included in all major online catalogs and on our websites.

Bosch Part Number	ZFLS Part Number	Condition	Applications	OE Number
KS01000746	7805955186	Remanufactured	Volkswagen: 2012-2015, 2017 Beetle, 2010-2014 Golf, 2010 Golf City, 2006-2010, 2014 GTI, 2006-2018 Jetta, 2007-2009 Jetta City, 2012-2015, 2017 Passat	1K1423055M
KS01004201	7817994124	Remanufactured	Audi: 2015-2017 A3, 2015 A3 Quattro, 2017 A3 Sportback e-tron, 2017 S3 Volkswagen: 2015-2019 e-Golf, 2015, 2017 Golf, 2017 Golf Alltrack, 2015, 2017 Golf R, 2015, 2017 Golf SportWagen, 2015 GTI	5Q1423051AK
KS01001789	7806974489	Remanufactured	Mercedes-Benz: 2012-2015, 2017 CLS550, 2014-2015 E250, 2012-2014 E300, 2010-2013, 2015 E350, 2015 E400, 2010-2014 E550	2124608400
KS00002892	7828974732	New	Mercedes-Benz: 2017 GLE350, 2017 GLE400, 2017-2019 GLE43 AMG, 2016 GLE450 AMG, 2017 GLE550e, 2017 GLS350d, 2017-2019 GLS450, 2017 GLS550	1664605600
KS01004006	7838974752	Remanufactured	BMW: 2011-2016 528i, 2013-2015 528i xDrive, 2014-2015 535d, 2014-2015 535d xDrive, 2011-2015 535i, 2013-2015 535i GT, 2013-2015 535i GT xDrive, 2013-2015 535i xDrive, 2012-2015 640i, 2013-2015 640i Gran Coupe, 2014-2015 640i xDrive	32106883548
KS00003162	7806994530	New	Mercedes-Benz: 2015, 2017 C300, 2015 C400	2054608301
KS01003984	7838974750	Remanufactured	BMW: 2012-2016 ActiveHybrid 5, 2013-2015 ActiveHybrid 7, 2013-2015 Alpina B7, 2013-2015 Alpina B7L, 2011-2015 528i, 2014-2016 535d, 2011-2016 535i, 2014-2017 535i GT, 2011-2016 550i, 2014-2015 550i GT, 2012-2018 640i, 2013-2018 640i Gran Coupe, 2012-2018 650i, 2013-2018 650i Gran Coupe, 2013-2015 740i, 2013-2015 740Li, 2013-2015 750i, 2013-2015 750Li	32106883546
KS01001782	7806974945	Remanufactured	Mercedes-Benz: 2013-2015 GLK250, 2010-2015 GLK350	2044602501
KS01001783	7806974946	Remanufactured	Mercedes-Benz: 2013-2015 GLK250, 2010-2015 GLK350	2044601601
KS00003277	7817994123	New	Audi: 2016 A3 Volkswagen: 2015-2019 e-Golf, 2017 Golf, 2017 Golf Alltrack, 2017-2018 Golf R, 2017 Golf SportWagen	5Q1423051ABX
KS01004171	7818974824	Remanufactured	Tesla: 2012-2018 S	600697200A
KS00000799	7806974554	New	BMW: 2012-2015 X1	32106872478
KS01000769	7806974629	Remanufactured	BMW: 2012-2015 X1	32106872478
KS00003140	7828955157	New	Land Rover: 2017 Range Rover, 2014-2019 Range Rover Sport	LR091410
KS00002888	7806974403	New	Porsche: 2013-2015 Boxster, 2014-2015 Cayman, 2012-2015, 2017 911	99134700518
KS00003130	7806955233	New	Land Rover: 2014-2019 Range Rover Sport	LR092482
KS00001973	7806974617	New	Mercedes-Benz: 2017 Maybach S550, 2014-2015 SL550, 2014-2015 S550	2224604800
KS00003209	7806 974 907	New	Land Rover: 2012-2015, 2017 Range Rover Evoque	LR088698
KS00001931	7805955173	New	Volkswagen: 2013 Golf, 2012-2013 Golf R, 2012-2013 GTI	1K1423055NX
KS00003144	7806994592	New	Land Rover: 2015-2017 Discovery Sport	LR087170